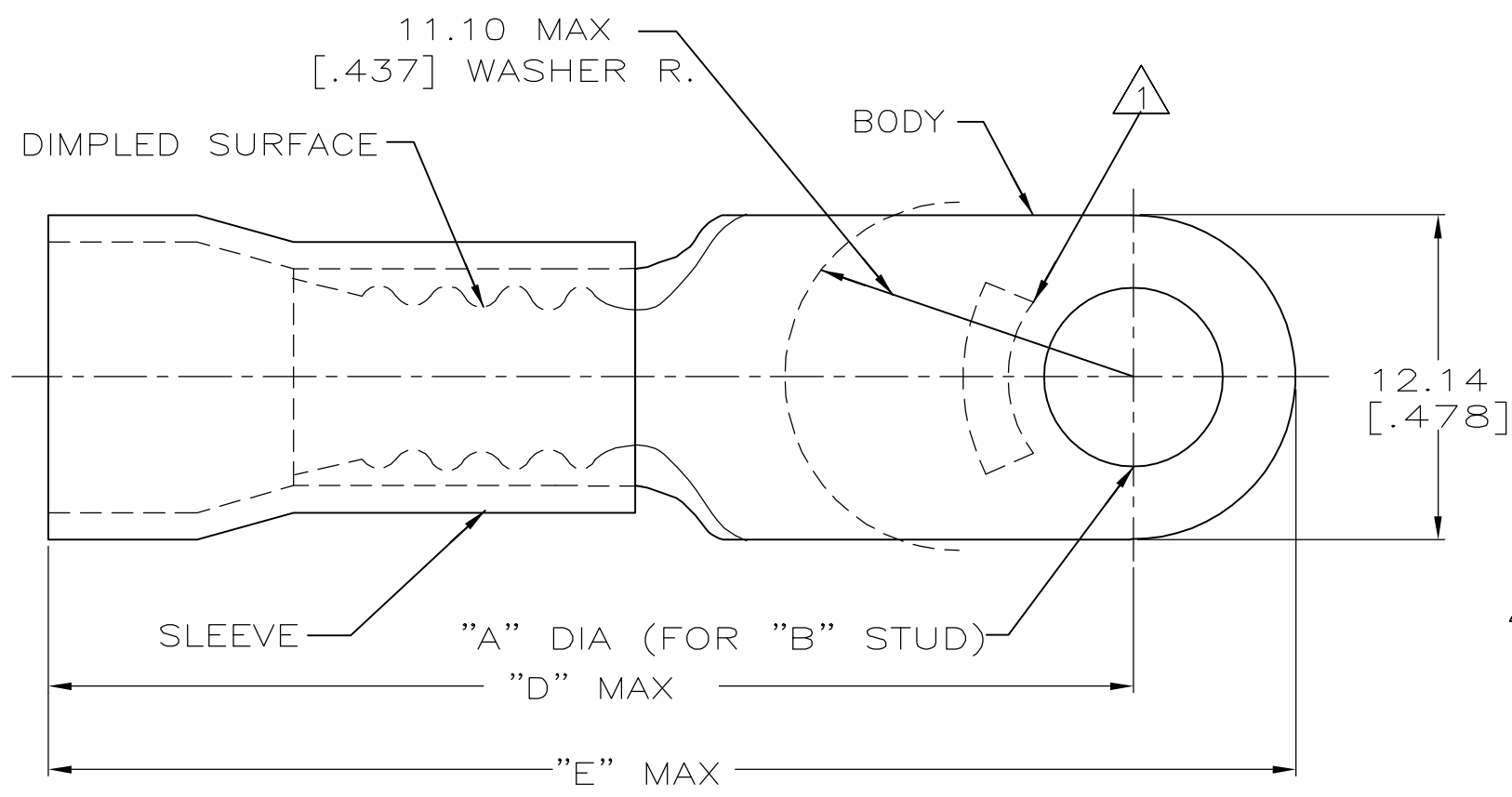


4  
DRAWING MADE IN THIRD ANGLE PROJECTION

THIS DRAWING IS UNPUBLISHED. RELEASED FOR PUBLICATION ,19 .  
© COPYRIGHT 19 BY AMP INCORPORATED. ALL INTERNATIONAL RIGHTS RESERVED.

LOC	DIST	P	F	REVISIONS			DATE	APPD
G	14			ZONE	LTR	DESCRIPTION		
						R1 REV PER ECR 06-001832	25APR06	JR TM



<b>AMP</b> WIRE RANGE	FILE E13288	LR7189 Certified
8 AWG STRANDED	8 AWG STRANDED	8 AWG STRANDED

- NOTE:
1. STAMP AMP 8\* LOCATE APPROX AS SHOWN
  2. TONGUE MATERIAL THK 1.02±0.08 [.040±.003]
  3. SEE TABLE FOR WIRE INSULATION DIA MAX
  4. TAPE ITEMS ARE ON 30.48 [1.200] CENTERS

40.64 [1.600]	34.49 [1.358]	8.38 [.330]	1/4	6.73±0.13 [.265±.005]	25	LOOSE PC, BOX SPL	8-52041-5
40.64 [1.600]	34.49 [1.358]	8.38 [.330]					
40.28 [1.586]	34.14 [1.344]	9.14 [.360]	#8	4.34±0.08 [.171±.003]	500	ON TAPE	52041-9
40.64 [1.600]	34.49 [1.358]	8.38 [.330]					52041-7
40.64 [1.600]	34.49 [1.358]	8.38 [.330]	1/4	6.73±0.13 [.265±.005]	100	LOOSE PC	52041-6
40.28 [1.586]	34.14 [1.344]	9.14 [.360]	#8	4.34±0.08 [.171±.003]			52041-3
"E"	"D"	WIRE INSULATION DIA	"B"	"A"	QTY	PACKAGE TYPE	PART NO

**AMP INCORPORATED**  
**CUSTOMER SERVICE SYSTEMS**

MAX RECOMMENDED OPERATING TEMPERATURE:  
90° C

VOLTAGE RATING:  
600 V MAX

CIRCULAR MIL AREA:  
6.64-10.54mm<sup>2</sup> [13,100-20,800]  
STRANDED

FOR ADDITIONAL PRODUCT INFORMATION OR COPIES OF DRAWINGS AND TECHNICAL DOCUMENTS  
PRODUCT INFORMATION CENTER  
1-800-522-6752

FOR APPLICATION TOOLING ASSISTANCE CENTER  
TOOLING INFORMATION  
1-800-722-1111

FOR ORDER ENTRY  
1-800-526-5142

THIS DRAWING IS A CONTROLLED DOCUMENT FOR AMP INCORPORATED. IT IS SUBJECT TO CHANGE AND THE CONTROLLING ENGINEERING ORGANIZATION SHOULD BE CONTACTED FOR THE LATEST REVISION.

DO NOT SCALE PRINT. UNLESS SPECIFIED DIMENSIONS IN mm [INCHES] TOLERANCES ON:  
2 PLC DEC ± 0.20[.008]  
3 PLC DEC ± -  
ANGLES ± -

DR 9-28-93 S.S. GOULDEN  
CHK 9-28-93 R. HERSEY  
APPD 9-28-93 B. BARE  
APPD 9-28-93 M. ELLIS

MATERIAL COPPER PER ASTM B-152 PVC, COLOR:RED  
FINISH TIN PLATE PER ASTM B545

AMP Incorporated  
Harrisburg, PA 17105-3608

NAME  
TERMINAL, RING TONGUE, PLASTI-GRIP, WIRE SIZE:8 AWG

PRODUCT SPEC NOT AVAILABLE  
APPLICATION SPEC NOT AVAILABLE  
WEIGHT -

SIZE **B** CAGE CODE 00779 DRAWING NO **C-52041**  
SCALE NTS SHEET 10F 1